

iQ300, Gas hob, 90 cm, Tempered glass, Black ER9MD331NX



The tempered-glass gas hob: offers you a sophisticated design that is easy to clean.

- ✓ The sword knob combines highest ease of use with modern design.
- ✓ Extremely heat-resistant and easy to clean – the modern hard glass surface.

Product name/family:gas hob
 Built-in / Free-standing: Built-in
 Energy input: Gas
 Total number of positions that can be used at the same time: 3
 Type of control setting devices:sword knobs
 Min. required niche size for installation (HxWxD):80 x 880-880 x 455-455 mm
 Width of the appliance: 920 mm
 Dimensions: 150x920x510 mm
 Dimensions of the packed product (HxWxD): ... 239 x 990 x 571 mm
 Net weight: 18.4 kg
 Gross weight: 22.0 kg
 Residual heat indicator:without
 Location of control panel: Front
 Basic surface material: Tempered glass
 Color of surface: Black, Black
 Color of frame: Black, Black
 Length electrical supply cord: 120.0 cm
 Knob Material: Plastic
 Sealed Burners: No
 Power of 2nd heating element (kW): 4.9 kW
 Gas connection rating: 11800 W
 Fuse protection:10 A
 Voltage:220-240 V
 Frequency:50-60 Hz
 Energy input: Gas
 Gas type: Liquidgas G30,31 28-30/37 mbar
 Alternative gas type: Nat gas H/E(L) 20 (25) mbar
 Appliance Dimensions (h x w x d) (in): x x 480
 Dimensions of the packed product: 9.40 x 22.48 x 38.97
 Net weight: 41.000 lbs
 Gross weight: 49.000 lbs
 Total number of positions that can be used at the same time: 3
 Length electrical supply cord: 120.0 cm
 Min. required niche size for installation (HxWxD):80 x 880-880 x 455-455 mm
 Dimensions: 150x920x510 mm
 Dimensions of the packed product (HxWxD): ... 239 x 990 x 571 mm
 Net weight: 18.4 kg
 Gross weight: 22.0 kg



iQ300, Gas hob, 90 cm, Tempered glass, Black ER9MD331NX

Cooking Zone

- 3 burner gas hob
- Left burner maximum power up to 4900 W (depending on gas type)
- Rear centre burner maximum power up to 2000 W (depending on gas type)
- Right burner maximum power up to 4900 W (depending on gas type)

Design

- Black glass
- Sword control knobs

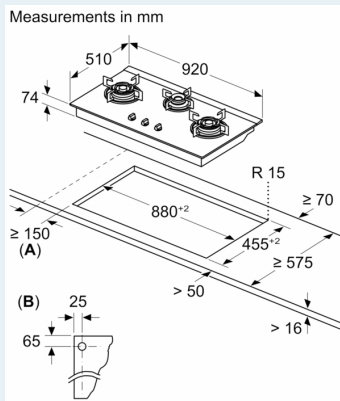
Key Functions

- Brass burner
- Preset nozzle: Preset for liquid gas, (28 - 30/37 mbar)
- Knob ignition
- Flame failure safety device

Technical Information

- Dimensions of the product (HxWxD mm) : 80 x 920 x 510
- Required niche size for installation (HxWxD mm) : 80 x 880-880 x 455-455
- Total connected load gas: 11.8 KW
- Power cord length 120 cm

iQ300, Gas hob, 90 cm, Tempered glass, Black ER9MD331NX



A: Min. distance from the hob cut-out to the wall

B: Position of gas connection in the cut-out

A space of min. 100 mm in height should be kept available below the hob