

**iQ700, Domino Gas hob, 30 cm,
Ceramic, Black
ER3A6AD70I**



Gas cooktop with stepFlame Technology for precise flame control in nine steps.

Product name/family:Vario/Domino gas hob w control
 Built-in / Free-standing: Built-in
 Energy input: Gas
 Total number of positions that can be used at the same time: 1
 Min. required niche size for installation (HxWxD): 45 x 270 x 490-500 mm
 Width of the appliance: 302 mm
 Dimensions: 59x302x520 mm
 Dimensions of the packed product (HxWxD): ... 165 x 385 x 585 mm
 Net weight: 8.2 kg
 Gross weight: 9.1 kg
 Residual heat indicator: Separate
 Location of control panel: Front
 Basic surface material: Ceramic
 Color of surface: Black, Alu, brushed
 Color of frame: Black
 Length electrical supply cord: 100.0 cm
 Connection Rating: 2 W
 Gas connection rating: 6000 W
 Fuse protection: 3 A
 Voltage: 220-240 V
 Frequency: 50; 60 Hz
 Included accessories: 1 x WOK attachment ring



4 242003 828953

1 x WOK attachment ring

HZ298105 Simmer plate
 HZ298113 Small pot support
 HZ394301 Connecting strip

iQ700, Domino Gas hob, 30 cm, Ceramic, Black ER3A6AD70I

Cooking Zone

- 1 gas burner
- Centre work burner maximum power: 6000 W (depending on gas type)

Design

- black Ceramic glass base
- Sword control knobs
- Can be combined with Domino ceramic hobs
- Cast iron pan support dishwasher proof

Features:

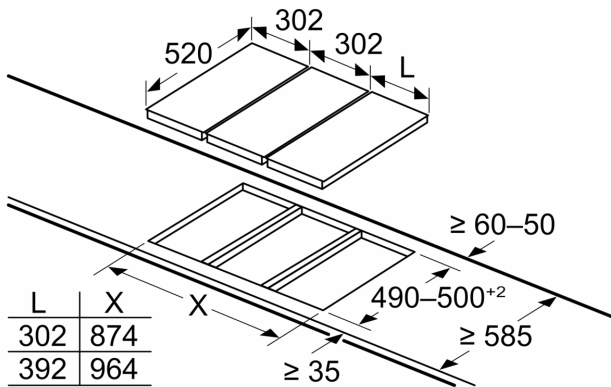
- stepFlame Technology
- 7-segment display
- Residual heat indicator
- Preset for liquid gas, (28 - 30/37 mbar)
- Flame failure safety device

Dimensions:

- Dimensions of the product (HxWxD mm) : 45 x 302 x 520
- Required niche size for installation (HxWxD mm) : 45 x 270 x 490 - 502
- Gas connection rating: 6000 W
- Length electrical supply cord: 100 cm

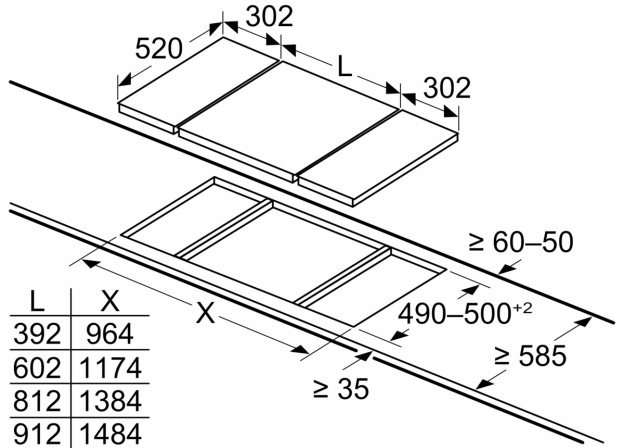
iQ700, Domino Gas hob, 30 cm,
Ceramic, Black
ER3A6AD70I

Measurements in mm



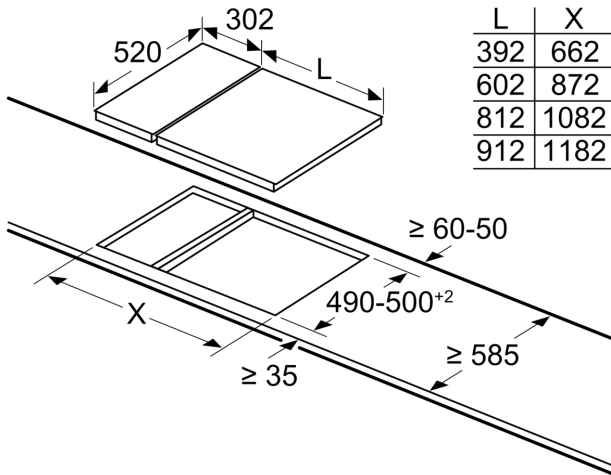
If two or more elements are installed right next to one another, one or several installation kits are required (2 elements 1 installation kit, 3 elements 2 installation kits, etc.)

Measurements in mm



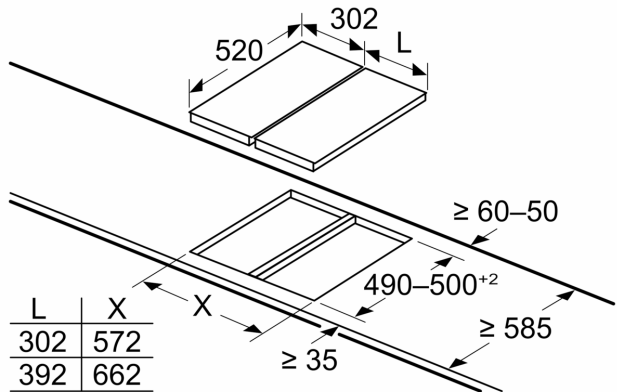
When installing two Domino units right next to a hob, two assembly kits (HZ394301) are required

measurements in mm



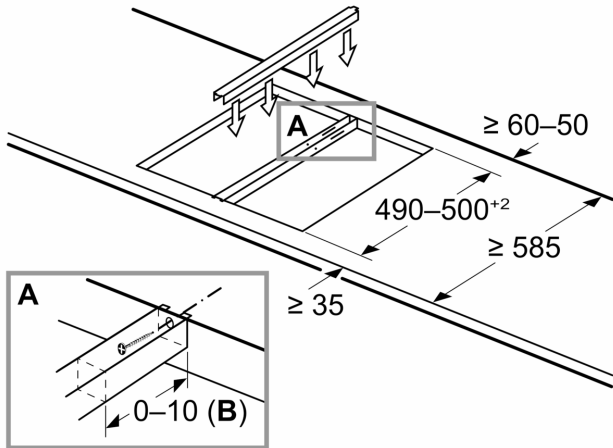
When installing a Domino unit right next to a hob, an assembly kit (HZ394301) is required.

Measurements in mm



If two or more elements are installed right next to one another, one or several installation kits are required (2 elements 1 installation kit, 3 elements 2 installation kits, etc.)

Measurements in mm
Assembly kit (HZ394301) for Domino



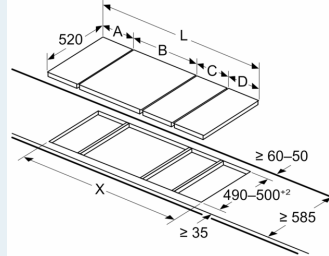
B: Dependent on the cut-out depth

measurements in mm
 Domino combination options with corresponding
 appliance and cut-out dimensions

	Width category:					L	X
	30	40	60	70	80		
Appliance width:	302	392	602	710	812	912	
2x30	302	302	-	-	604	572	
1x30, 1x40	302	392	-	-	694	662	
1x30, 1x60	302	602	-	-	904	872	
1x30, 1x70*	302	710	-	-	1012	980	
1x30, 1x80	302	812	-	-	1114	1082	
1x30, 1x90	302	912	-	-	1214	1182	
2x40	392	392	-	-	784	752	
1x40, 1x60	392	602	-	-	994	962	
1x40, 1x70*	392	710	-	-	1102	1070	
1x40, 1x80	392	812	-	-	1204	1172	
1x40, 1x90	392	912	-	-	1304	1272	
3x30	302	302	302	-	906	874	
2x30, 1x40	302	302	392	-	996	964	
2x30, 1x60	302	302	602	-	1206	1174	
2x30, 1x70*	302	302	710	-	1314	1282	
2x30, 1x80	302	302	812	-	1416	1384	
2x30, 1x90	302	302	912	-	1516	1484	
1x30, 2x40	302	392	392	-	1086	1054	
1x30, 1x40, 1x60	302	392	602	-	1296	1264	
1x30, 1x40, 1x70*	302	392	710	-	1404	1372	
1x30, 1x40, 1x80	302	392	812	-	1506	1474	
1x30, 1x40, 1x90	302	392	912	-	1606	1574	
3x40	392	392	392	-	1176	1144	
2x40, 1x60	392	392	602	-	1386	1354	
4x30	302	302	302	302	1208	1176	
3x30, 1x40	302	302	302	392	1298	1266	
2x30, 2x40	302	302	392	392	1388	1356	
1x30, 3x40	302	392	392	392	1478	1446	
1x30, 1x75	302	750	-	-	1052	1016	
1x40, 1x75	392	750	-	-	1142	1106	
2x30, 1x75	302	302	750	-	1354	1318	
1x30, 1x40, 1x75	302	392	750	-	1444	1408	

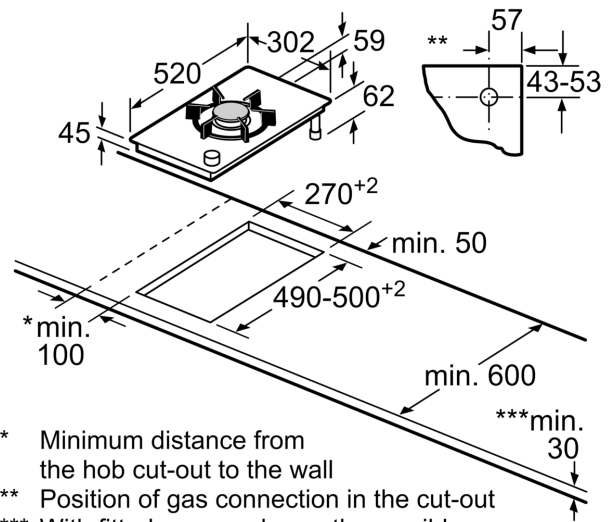
* Not possible with 70 cm induction hob

Measurements in mm
Picture for the table Domino combination possibilities with corresponding devices and cutout dimensions



If two or more elements are installed right next to one another, one or several installation kits are required (2 elements 1 installation kit, 3 elements 2 installation kits, etc.)

Cutout dimension (X) depending on the combination (see combination table)



* Minimum distance from the hob cut-out to the wall

** Position of gas connection in the cut-out

*** With fitted oven underneath, possibly more; see space requirements for the oven

measurements in mm