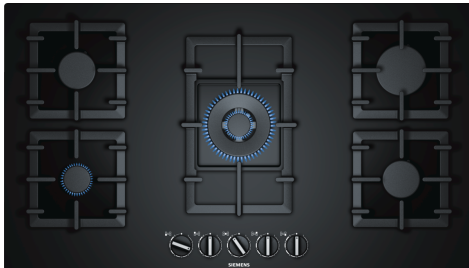


iQ500, Gas hob, 90 cm, Tempered glass, Black EP9A6QB90I



HZ211310	Simmer cap
HZ298105	Simmer plate
HZ298114	Small pot support

Gas cooktop with stepFlame Technology for precise flame control in nine steps.

- ✓ stepFlame Technology: precise heat control with nine different flame steps.
- ✓ This wok burner with up to 4000 W of power is ideal for a wide variety of foods, even in large quantities.
- ✓ Extremely heat-resistant and easy to clean – the modern hard glass surface.
- ✓ High-quality materials and workmanship – continuous cast-iron pan supports.
- ✓ The extremely convenient sword knob makes it easy to recognize the power level selected.

Product name/family: gas hob w integrated controls
 Built-in / Free-standing: Built-in
 Energy input: Gas
 Total number of positions that can be used at the same time: 5
 Type of control setting devices:sword knobs
 Min. required niche size for installation (HxWxD):45 x 850-852 x 490-502 mm
 Width of the appliance: 915 mm
 Dimensions: 58x915x520 mm
 Dimensions of the packed product (HxWxD): . 165 x 1116 x 659 mm
 Net weight: 22.8 kg
 Gross weight: 25.0 kg
 Residual heat indicator:without
 Location of control panel: Front
 Basic surface material:Tempered glass
 Color of surface: Black
 Color of frame: Black
 Length electrical supply cord: 150.0 cm
 Knob Material: Plastic
 Sealed Burners: No
 Power of heating element (kW): 1 kW
 Power of 3rd heating element (kW): 1.75 kW
 Power of 5th heating element (kW): 3 kW
 Connection Rating: 1 W
 Gas connection rating: 11500 W
 Fuse protection:3 A
 Voltage:220-240 V
 Frequency:50; 60 Hz
 Energy input: Gas
 Gas type:Liquidgas G30,31 28-30/37 mbar
 Alternative gas type: Nat gas H/E/(L) 20 (25) mbar
 Plug type: India plug (6 Ampere)
 Appliance Dimensions (h x w x d) (in): x x
 Dimensions of the packed product: 6.49 x 25.94 x 43.93
 Net weight: 50.000 lbs
 Gross weight: 55.000 lbs
 Total number of positions that can be used at the same time: 5
 Length electrical supply cord: 150.0 cm
 Min. required niche size for installation (HxWxD):45 x 850-852 x 490-502 mm
 Dimensions: 58x915x520 mm
 Dimensions of the packed product (HxWxD): . 165 x 1116 x 659 mm
 Net weight: 22.8 kg
 Gross weight: 25.0 kg



iQ500, Gas hob, 90 cm, Tempered glass, Black EP9A6QB90I

Cooking Zone

- 5 gas burners
- Front left Economy burner maximum power: 1000 W (depending on gas type)
- Rear left Standard burner maximum power: 1750 W (depending on gas type)
- Centre work burner maximum power: 4000 W (depending on gas type)
- Front right Standard burner maximum power: 1750 W (depending on gas type)
- Rear right High-speed burner maximum power: 3000 W (depending on gas type)

Design

- black glass base
- Sword control knobs
- Cast iron separable w rub feet

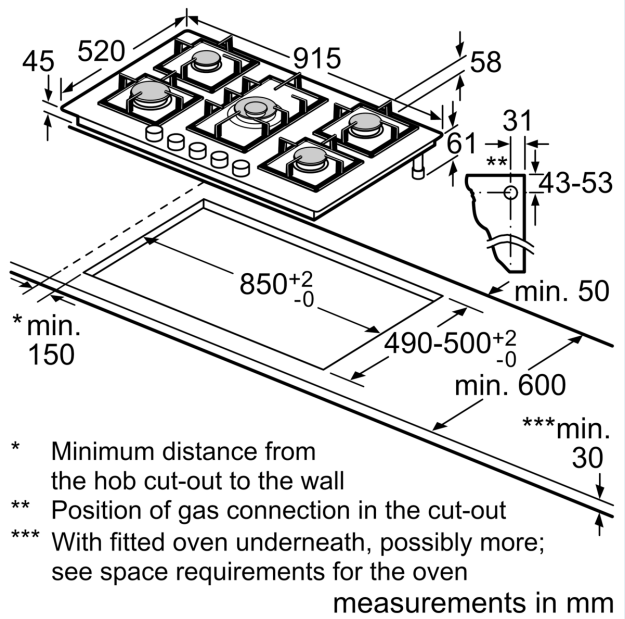
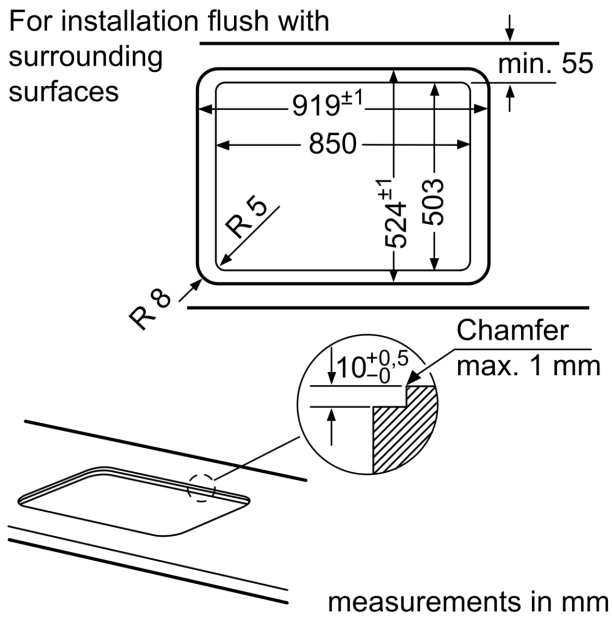
Features:

- stepFlame Technology
- Gas connection rating: 11500 W
- Preset for liquid gas, (28 - 30/37 mbar)
- Flame failure safety device
- Length electrical supply cord: 150 cm

Dimensions:

- Dimensions of the product (HxWxD mm) : 45 x 915 x 520
- Required niche size for installation (HxWxD mm) : 45 x 850 - 852 x 490-502

iQ500, Gas hob, 90 cm, Tempered glass, Black
EP9A6QB90I



- * Minimum distance from the hob cut-out to the wall
- ** Position of gas connection in the cut-out
- *** With fitted oven underneath, possibly more; see space requirements for the oven